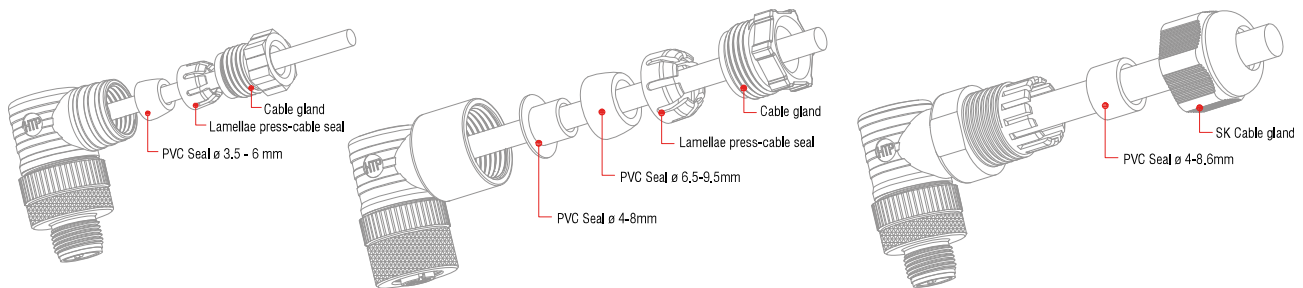
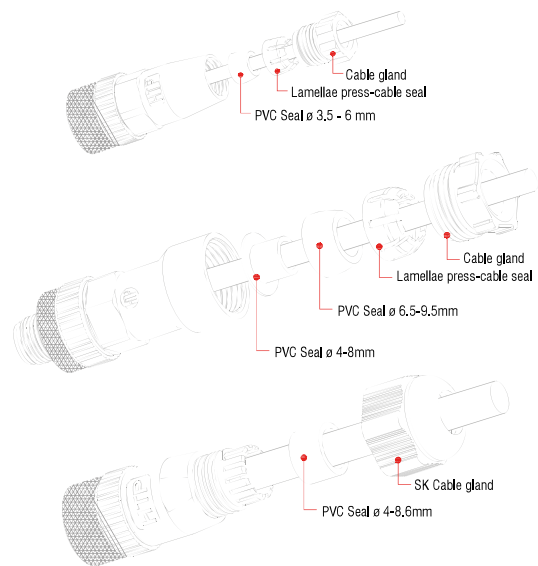
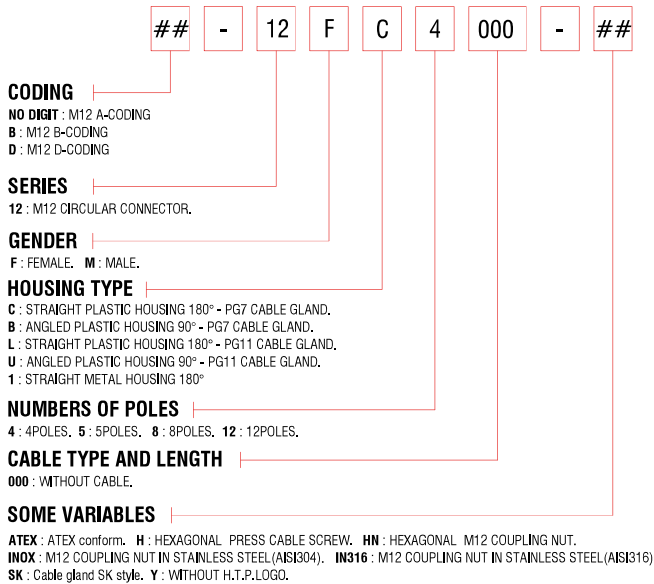


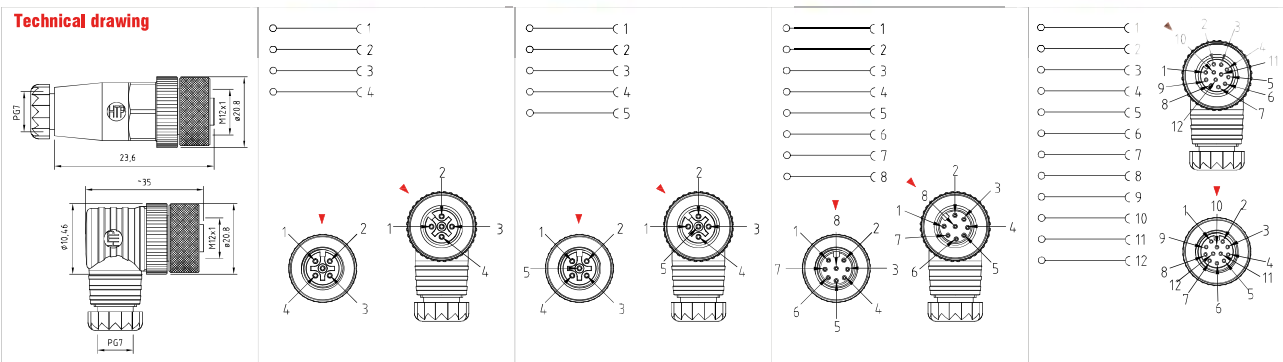
M12 CIRCULAR CONNECTORS

GENERAL FEATURES OF FIELD ATTACHABLE CONNECTORS:

Cable Gland : Plastic Housing PG7 : \varnothing CABLE 3,5-6mm. PG9 : \varnothing CABLE 4-8mm. PG11 : \varnothing CABLE 6,5-9,5mm. SK : \varnothing CABLE 4-8,6mm. Metal Housing : \varnothing CABLE 4-8mm.	Max. screw torque IEC60947-1 : Contact screw torque 0,2N*m. M12 coupling nut torque 0,4N*m.	Internal core material : PA66 UL94-V2.	Protection class : IP65/67 (assembled).
Conductor cross section : 0,14(26AWG)...0,75mm ² (18AWG).	Type of terminations : Screw. Solder wires(12 poles).	Coupling nut material : Brass + Nickel plated. Stainless steel AISI304(upon request). Stainless steel AISI316(upon request).	Operating temperature : -40°C +90°C. -25°C +85°C(metal housing).
Fixing system : M12 coupling nut.	Contact material and treatment : Brass + Gold flash.	Flammability resistance : UL94-V2 - Standard. UL94-V0 - ATEX approved (upon request).	
	Housing material : PA66 UL94-V2. Brass + Nickel plated.		



M12 CIRCULAR CONNECTORS



Product description									
Connector type	Circular connector field attachable		Circular connector field attachable		Circular connector field attachable		Circular connector field attachable		
Conforms to	IEC 61076-2-101		IEC 61076-2-101		IEC 61076-2-101		IEC 61076-2-101		
Construction type	M12 A-Coded		M12 A-Coded		M12 A-Coded		M12 A-Coded		
Part number	12FC4000	12FB4000	12FC5000	12FB5000	12FC8000	12FB8000	12FC12000	12FB12000	
Housing type	Straight 180°	Angled 90°	Straight 180°	Angled 90°	Straight 180°	Angled 90°	Straight 180°	Angled 90°	
Cable gland	PG7 standard		PG7 standard		PG7 standard		PG7 standard		
Description	Circular connector M12 series field attachable		Circular connector M12 series field attachable		Circular connector M12 series field attachable		Circular connector M12 series field attachable		
Contacts type	Female		Female		Female		Female		
Number of contacts	4poles		5poles		8poles		12poles		
Housing colour	Black		Black		Black		Black		
Technical data									
Type of termination	Screw contacts		Screw contacts		Screw contacts		Solder contacts		
Contact screw torque	0.2 N*m		0.2 N*m		0.2 N*m		-		
Housing material	PA66 UL94-V2		PA66 UL94-V2		PA66 UL94-V2		PA66 UL94-V2		
Contacts material	Brass + Gold flash		Brass + Gold flash		Brass + Gold flash		Brass + Gold flash		
Coupling nut type	Knurl round		Knurl round		Knurl round		Knurl round		
M12 coupling nut material	Brass + Nickel plated		Brass + Nickel plated		Brass + Nickel plated		Brass + Nickel plated		
M12 coupling nut torque	0.4 N*m		0.4 N*m		0.4 N*m		0.4 N*m		
Rated voltage	250V AC/DC		60V AC/DC		30V AC/DC		30V AC/DC		
Rated current	4A		4A		2A		1.5A		
Temperature range	-40°C +90°C		-40°C +90°C		-40°C +90°C		-40°C +90°C		
O-ring material	NBR		NBR		NBR		NBR		
Suitable cable	ø 4 - 6mm		ø 4 - 6mm		ø 4 - 6mm		ø 4 - 6mm		
Packaging									
Qty/Bag	1 pc / bag		1 pc / bag		1 pc / bag		1 pc / bag		
Other accessories options									
See accessories section									
Notes:									
Connectors available with different features: See the general features and codification scheme page									